

Dometic Spot Zero Double Pass System

Purifies Dock Water & Water Produced by Watermakers



Spot Zero control panel and pre-filters assembly deck-mount configuration shown

Get the benefit of Spot Zero water from both of your freshwater sources—your onboard watermaker system and the potable water provided dockside. The Spot Zero Double Pass system processes feed water from either source automatically.

The Spot Zero rejects about 98% of total dissolved solids (TDS) in any potable water supply, creating soft, pure water that lets water-sprayed surfaces dry clean without leaving spots that have to be wiped away. Air-drying after a Spot Zero rinse helps preserve the boat's paint and wax finishes since "wiping away" dissolved solids can grind them into finished surfaces, creating minute scratches.

Dometic Spot Zero water can also be used for bathing, cooking, drinking, and making crystal-clear ice onboard. Enjoy spot-free glassware, dishes, and shower surfaces, and eliminate mineral build-up in ice machines for less maintenance. It removes viruses, cysts, bacteria and radioactive contaminants.

The Dometic Spot Zero Double Pass system connects to any brand of watermaker, including the extensive range of Dometic Sea Xchange watermakers.

The Spot Zero Double Pass freshwater reverse-osmosis system has a compact, modular design and is fully equipped and customizable. It is available in two capacities to produce either 2,000 GPD (7,571 LPD) or 3,000 GPD (11,356 LPD).

Key Benefits

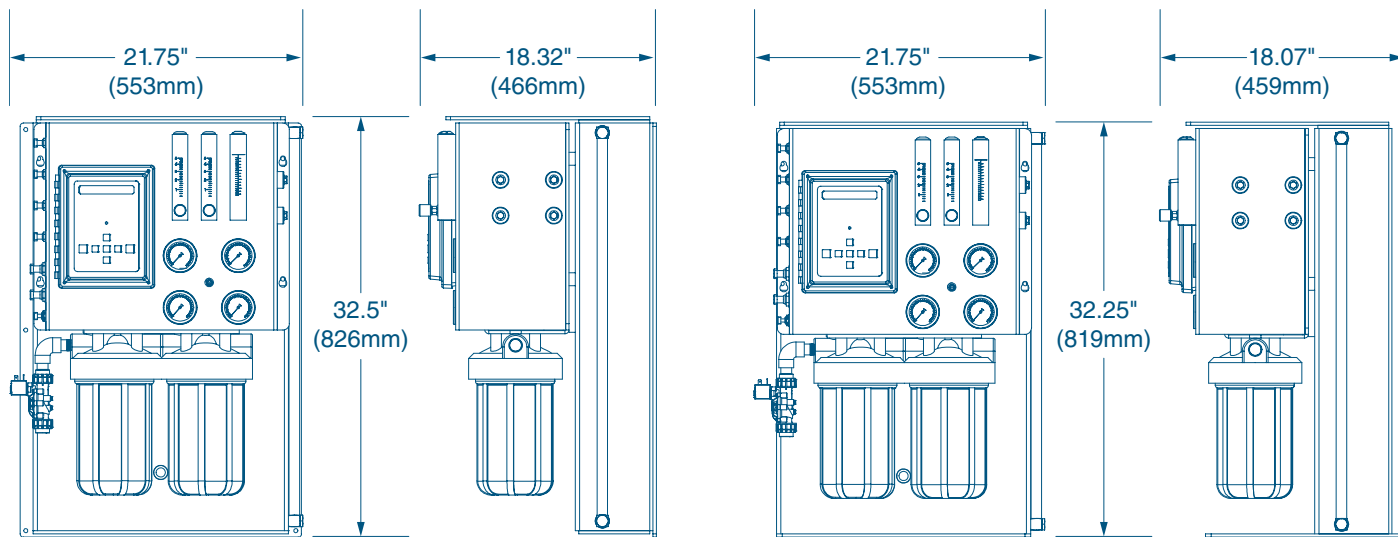
- Purifies water from dockside source
- Purifies water from onboard desalination system
- Eliminates water spots
- Removes 95-99% of total dissolved solids
- Removes viruses, cysts, and bacteria
- No need to chamois-dry surfaces
- Stop wasting time drying by hand
- Extends wax and paint life
- Provides pure water for bathing and drinking
- Compact design
- Very low power consumption
- Very low noise and vibration
- Wall- or deck-mount configurations
- Available in capacities of 125 GPH (473 LPH) and 85 GPH (322 LPH)



Specifications for Dometic Spot Zero Double-Pass System

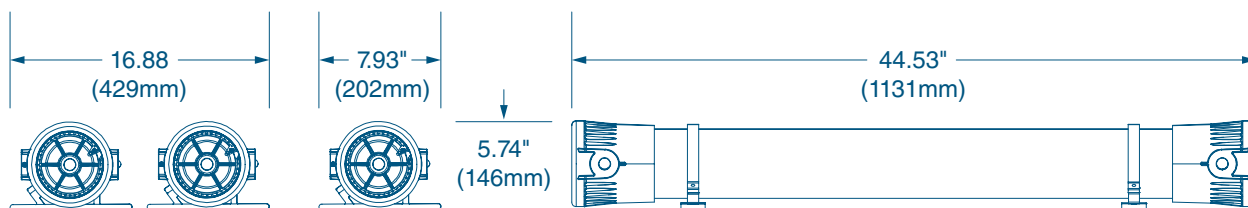
Model	Wall-Mount Assembly	Deck-Mount Assembly	SZ2000 Membrane Assembly	SZ3000 Membrane Assembly
Capacity Per Hour (gal/l)	N/A	N/A	85/321.8	125/473.2
Capacity Per 24 Hours (gal/l)	N/A	N/A	2,000/7,571	3,000/11,356
Amperage	10A @ 115V 5A @ 230V	10A @ 115V 5A @ 230V	N/A	N/A
Net Weight (lbs/kg)	130/60	130/60	10/4.54	20/9.07
Shipping Weight (lbs/kg)	SZ2000: 175/79.4 SZ3000: 185/83.9			
Shipping Dimensions (H X W X D)	30 X 41.5 X 48.5 in. (762 X 1,055 X 1,232 mm)			

Dimensions



SZ2000/3000 Control Panel & Pre-Filters
(Wall-Mount Assembly)

SZ2000/3000 Control Panel & Pre-Filters
(Deck-Mount Assembly)



SZ3000 Membrane Vessel Assembly

SZ2000 Membrane Vessel Assembly

DOMETIC MARINE DIVISION
2000 N. Andrews Ave. Ext. | Pompano Beach, FL 33069 USA | Tel. 954-973-2477 | Fax: 954-979-4414
www.Dometic.com/Marine | MarineSales@DometicUSA.com

24/7 TECH SUPPORT FOR UNITED STATES & CANADA:
8:00 AM to 5:00 PM Eastern Time: 800-542-2477
After hours and weekends: 888-440-4494

INTERNATIONAL SALES & SERVICES
Europe & the Middle East: Call +44(0)870-330-6101
For all other areas visit our website to find your nearest distributor.

Dealer

