

Dometic Sea Xchange XTC Watermakers

The Only Automatic Watermaker With Mechanical Redundancy



Dometic Sea Xchange XTC1800 model shown

The Dometic Sea Xchange XTC watermaker lets you enjoy the freedom of fully automatic operation with the backup reliability of mechanical override for full redundancy and peace of mind.

Operation is easy and dependable. The built-in 7 in. (178 mm) color touchscreen display with a marine-ready enclosure meets the National Electrical Manufacturers Association (NEMA) 4X rating, which ensures resistance to corrosion, water, windblown dust, and external ice formation. Its color graphics are easy to read and understand. An optional remote LCD touchscreen is also available.

Providing true one-touch operation, unique programmable logic control (PLC) software monitors and regulates all system functions without operator intervention. You can relax onboard knowing your water production is optimized and ongoing.

Another unique, innovative advantage—the XTC Series provides remote access via smartphone, tablet, or computer from anywhere in the world using Dometic’s embedded Smart Touch Integrated Intelligence Control (STIIC) software. No other watermaker system provides this two-way interactive intelligence. It lets you monitor your system and troubleshoot problems via the Internet and a free app. You can check your system’s status, change settings, turn it on, turn it off, or diagnose a problem remotely.

Built for marine reliability, the XTC Series has a 316 stainless-steel high-pressure pump and boost pump motor shaft. An optional 316 stainless-steel commercial pre-filter housing is available. The totally enclosed, fan cooled (TEFC) motor has thermal protection.

Additional features include automatic freshwater flush and seawater membranes that are commercially available. The system is fully upgradable from 600 GPD (2,271 LPD) to 2,200 GPD (8,328 LPD).

Key Benefits

- The only fully automatic watermaker with mechanical redundancy
- The only watermaker with remote monitoring via Internet and smartphone
- Free app for remote monitoring with STIIC software
- Fully automatic operation
- Mechanical override
- Fully redundant system
- 7 in. (178 mm) color touchscreen display (NEMA 4X)
- Unique PLC software monitors and regulates all system functions
- Fully automatic high-pressure regulating valve with integrated mechanical backup
- 2-in-1 modular or compact frame design
- 316 stainless-steel high-pressure pump
- 316 stainless-steel booster pump and high-pressure pump motor shafts
- Commercially available seawater membranes
- Fully upgradable from 600 GPD (2,271 LPD) to 2,200 GPD (8,328 LPD)
- TEFC motor with thermal motor protection
- Modbus networking available standard

Special Options

- Remote 7 in. (178 mm) color touchscreen display (NEMA 4X)
- 316 stainless-steel commercial pre-filter housing
- CAN Bus networking available when purchased with an adapter



Integrated 7 in. (178 mm) color touchscreen display (NEMA 4X).



Mechanical override in case of computerized automation failure.



Optional 316SS commercial pre-filter

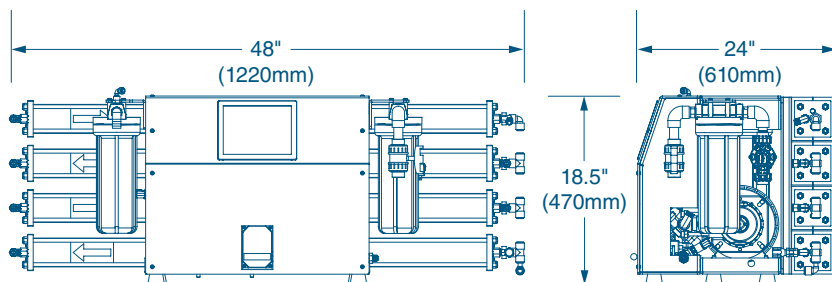


Specifications for Dometic Sea Xchange XTC Watermakers

Model	XTC600	XTC1200	XTC1800	XTC2200	Booster Pump	HP Pump
Capacity Per Hour (gal/l)	25/94.6	50/189.3	75/283.9	92/348.3	N/A	N/A
Capacity Per 24 Hours (gal/l)	600/2,271	1,200/4,542	1,800/6,814	2,200/8,328	N/A	N/A
Amperage	14.0A @ 230V/60Hz 15.4A @ 220V/50Hz	14.0A @ 230V/60Hz 15.4A @ 220V/50Hz	14.0A @ 230V/60Hz 15.4A @ 220V/50Hz	14.0A @ 230V/60Hz 15.4A @ 220V/50Hz	3.6A @ 230V/60Hz 4.4A @ 220V/50Hz	10.4A @ 230V/60Hz 11.0A @ 220V/50Hz
Membrane Quantity	1	2	3	4	N/A	N/A
Net Weight (lbs/kg)	145/65.8	155/70.3	165/74.8	175/79.4	Included In Net Weight	Included In Net Weight
Shipping Weight (lbs/kg)	210/95.3	220/99.8	230/104.3	240/108.9	Included In Shipping Weight	Included In Shipping Weight
Shipping Dimensions (H X W X D)	31 X 41.5 X 48.5 in. (762 X 1,055 X 1,232 mm)					

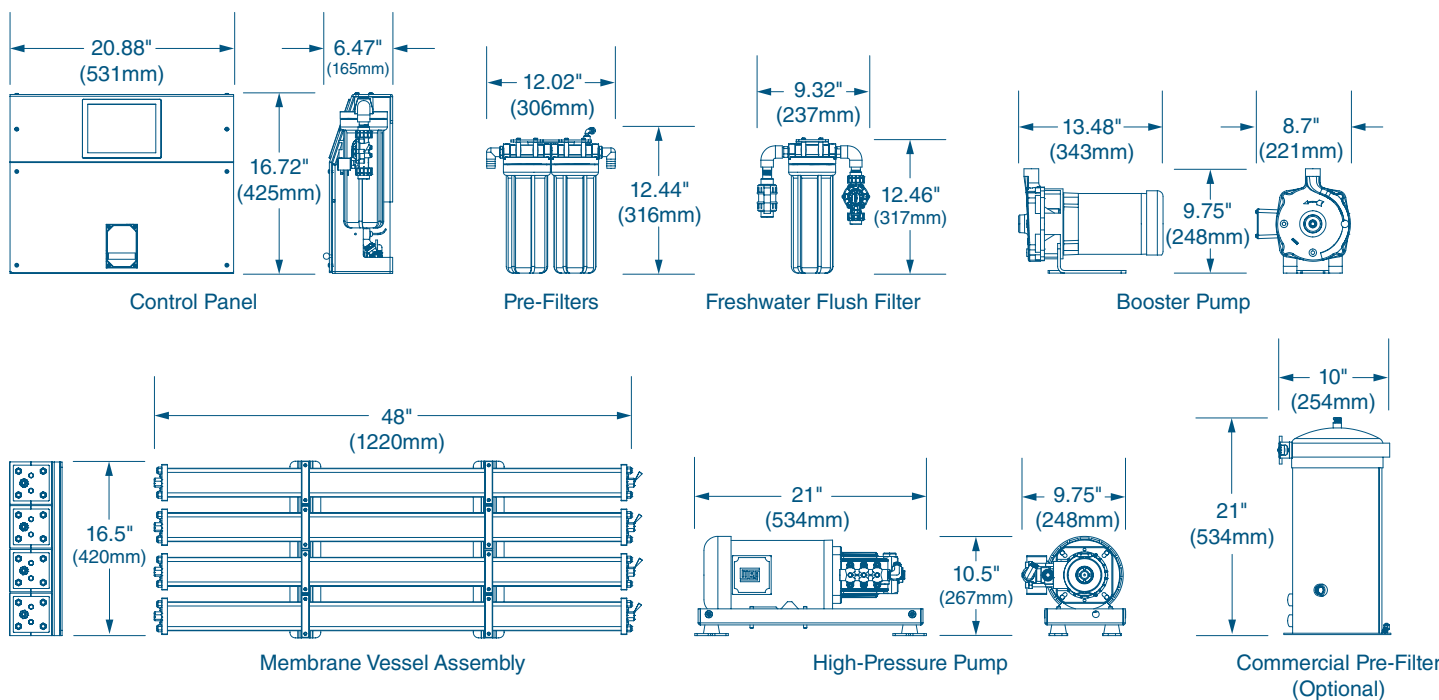
¹ With optional commercial pre-filter, height of all XTC framed units is 21 in. (534 mm).

Dimensions



FRAMED UNIT ▲

MODULAR COMPONENTS ▼



DOMETIC MARINE DIVISION

2000 N. Andrews Ave. Ext. | Pompano Beach, FL 33069 USA | Tel. 954-973-2477 | Fax: 954-979-4414
www.Dometic.com/Marine | MarineSales@DometicUSA.com

24/7 TECH SUPPORT FOR UNITED STATES & CANADA:

8:00 AM to 5:00 PM Eastern Time: 800-542-2477
After hours and weekends: 888-440-4494

INTERNATIONAL SALES & SERVICES

Europe & the Middle East: Call +44(0)870-330-6101
For all other areas visit our website to find your nearest distributor.

Dealer

