

NEW

Dometic Sea Xchange SE Watermakers

The Most Reliable & Compact System for Recreational Boaters



Dometic Sea Xchange SE600Z model shown

Travel for extended periods without having to dock for freshwater refills. Make your own water anywhere.

The Dometic Sea Xchange SE watermaker provides recreational boaters with the luxury of creating your own water while cruising on the ocean. The extremely compact SE Series produces 350 GPD (1,325 LPD) to 1,200 GPD (4,542 LPD) using reverse-osmosis technology to turn seawater into potable water.

The Dometic Sea Xchange SE fits anywhere. The 2-in-1 modular or compact frame lets you make the best use of any available installation space.

Built for marine reliability, durability and rust resistance, the SE Series has a 316 stainless-steel high-pressure pump, 316 stainless-steel high-pressure regulating valve, and 316 stainless-steel boost pump motor shaft. The high-pressure pump and the boost pump are the most durable and efficient pumps available. The totally enclosed, fan cooled (TEFC) motor has thermal protection.

Other features include a backlit computer controller display and seawater membranes that are commercially available. Options include freshwater flush filter assembly and a remote control.



Integrated pressure gauges, flow meter, and control panel with backlit display.



Vibration-isolation mounts reduce noise and vibration.



316 SS high-pressure pump components are durable in the marine environment.

Key Benefits

- 2-in-1 modular or compact frame design
- Durable and reliable
- 316 stainless-steel high-pressure regulating valve
- 316 stainless-steel high-pressure pump
- 316 stainless-steel booster pump and high-pressure pump motor shafts
- TEFC motor with thermal motor protection
- Computer controller with backlit display
- Tank switch input allows for automatic shut off
- Commercially available seawater membranes
- Fully upgradable from 350 GPD (1,325 LPD) to 1,200 GPD (4,542 LPD)

Special Options

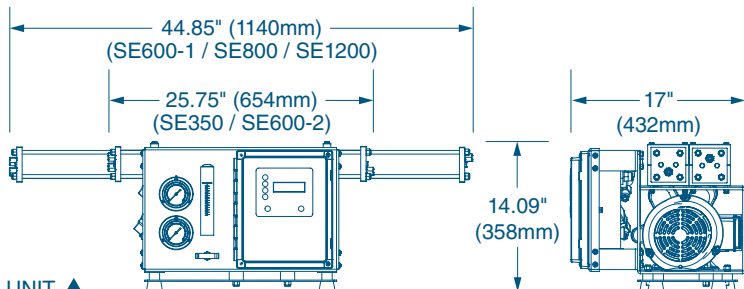
- Remote control
- Freshwater flush filter assembly



Specifications for Dometic Sea Xchange SE Watermakers

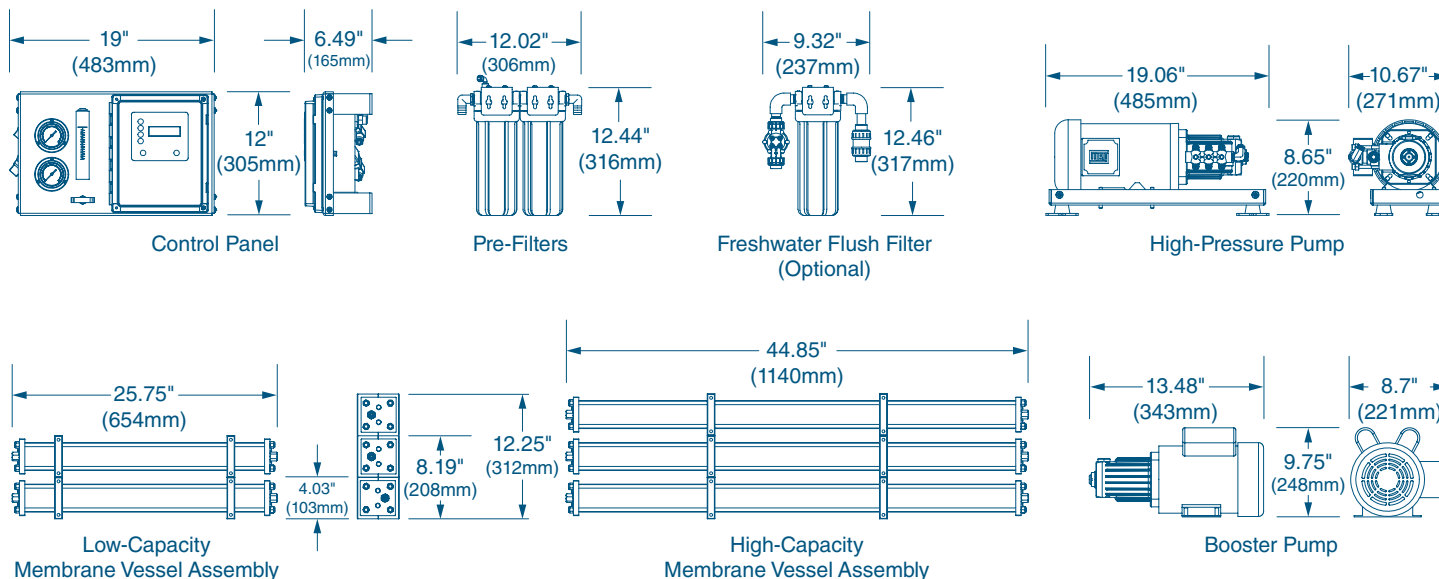
Model	SSE350	SE600-1	SE600-2	SE800	SE1200	Booster Pump	HP Pump
Capacity Per Hour (gal/l)	14.6/55	25/95	25/95	33/125	50/189.3	N/A	N/A
Capacity Per 24 Hours (gal/l)	350/1,325	600/2,271	600/2,271	800/3,028	1,200/4,542	N/A	N/A
Amperage	10.6A @ 230V/60Hz 12.6A @ 220V/50Hz	10.6A @ 230V/60Hz 12.6A @ 220V/50Hz	10.6A @ 230V/60Hz 12.6A @ 220V/50Hz	10.6A @ 230V/60Hz 12.6A @ 220V/50Hz	10.6A @ 230V/60Hz 12.6A @ 220V/50Hz	3.6A @ 230V/60Hz 4.4A @ 220V/50Hz	7.0A @ 230V/60Hz 8.2A @ 220V/50Hz
Membrane Quantity	1 Low-Capacity Membrane	1 High-Capacity Membrane	2 Low-Capacity Membranes	2 High-Capacity Membranes	3 High-Capacity Membranes	N/A	N/A
Net Weight (lbs/kg)	120/54.4	140/63.5	130/59.0	150/68.0	160/72.6	Included In Net Weight	Included In Net Weight
Shipping Weight (lbs/kg)	185/83.9	205/93.0	195/88.5	215/97.5	225/102.1	Included In Shipping Weight	Included In Shipping Weight
Shipping Dimensions (H X W X D)	31 X 41.5 X 48.5 in. (762 X 1,055 X 1,232 mm)						

Dimensions



FRAMED UNIT ▲

MODULAR COMPONENTS ▼



DOMETIC MARINE DIVISION

2000 N. Andrews Ave. Ext. | Pompano Beach, FL 33069 USA | Tel. 954-973-2477 | Fax: 954-979-4414
www.Dometic.com/Marine | MarineSales@DometicUSA.com

24/7 TECH SUPPORT FOR UNITED STATES & CANADA:

8:00 AM to 5:00 PM Eastern Time: 800-542-2477
After hours and weekends: 888-440-4494

INTERNATIONAL SALES & SERVICES

Europe & the Middle East: Call +44(0)870-330-6101
For all other areas visit our website to find your nearest distributor.

Dealer

